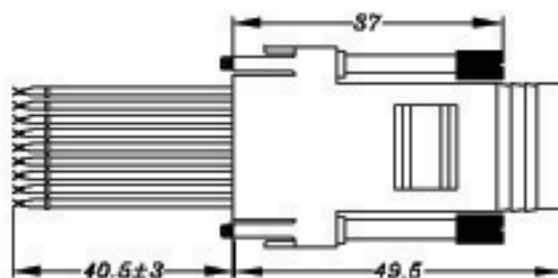
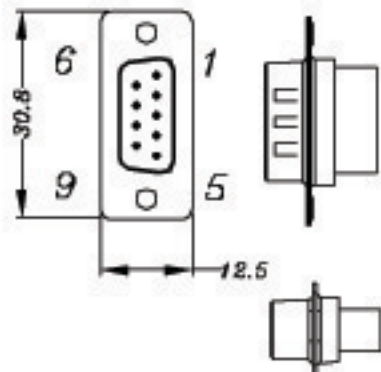


PROJECT :

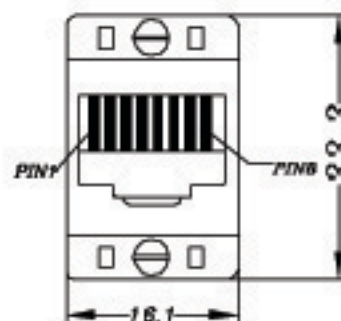
APPROVED :

DATE :

**DB9 MALE
CRIMP TYPE**



RJ45 JACK



PIN ASSIGNMENT

RJ45	DB9M
1	BLUE
2	ORANGE
3	BLACK
4	RED
5	GREEN
6	YELLOW
7	BROWN
8	WHITE

11	WIRE CABLE WHITE		1	90mm	
10	WIRE CABLE BROWN		1	90mm	
9	WIRE CABLE YELLOW		1	90mm	
8	WIRE CABLE GREEN		1	90mm	
7	WIRE CABLE RED		1	90mm	
6	WIRE CABLE BLACK		1	90mm	
5	WIRE CABLE ORANGE		1	90mm	
4	WIRE CABLE BLUE		1	90mm	
3	RJ45 6P8C JACK ADAPTER SCREW COLOR BEIGE		2	PCS	
2	DB9 MALE SELECT COLOR PLASTIC BLUE		1	PCS	
1	RJ45 6P8C JACK ADAPTER COLOR BEIGE		1	SET	
NO.	PART NO.	DESCRIPTION	VENDER	QTY	UNIT/REF

ROHS

CONFIDENTIAL

REV	REV./NO.	DESCRIPTION	DATE
		ASSMANN Electronics, Inc.	
		TITLE: MODULAR JACK DB9M TO RJ45	
DESIGNER	Danny	DATE	2007/05/17
COMPASS		CHK. P/NO.	AT-23066-R
DIRECTOR		CHK.	X013
COMPASS		MANAGER	
APPROVAL		REV	A
SL		REV	B
		SHEET	1 TO 1